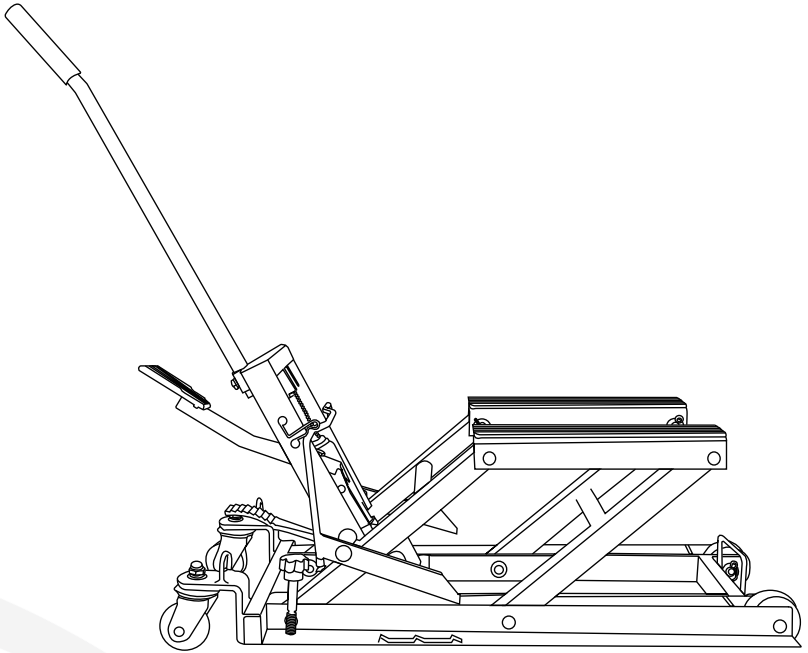




SGS-ENGINEERING.COM



SHML680

680kg Hydraulic Motorcycle Lift

OWNER'S MANUAL



Read, understand and follow all instructions and warnings before operating this tool. Failure to comply with the warnings in the manual may result in accidents or hazards. These instructions should be made available to anyone who may operate this motorcycle lift.

CAUTION

1. The maximum load is 680kg. **DO NOT** exceed this rated capacity.
2. Use this lift for lifting purpose only **DO NOT** use it for any other purpose it is not designed to perform.
3. Keep children and unauthorised persons away from the work area.
4. Only use this lift on a surface that is stable, level, dry, not slippery and capable of sustaining the load. Keep the surface clean, tidy and free from unrelate materials and ensure that there is adequate lighting.
5. Before lifting ensure the motorcycle is adequately secured to the lifting platform.
6. When the platform has been lifted to the working height, ensure the locking bar is engaged to prevent accidental lowering.
7. Always keep your hands and feet away from moving parts.

SAFETY INSTRUCTIONS AND WARNINGS



Keep the tool away from children. Do not allow children to remain in the work area. Do not let them handle it.



Wear safety glasses. All operators and people within the tool's work area (or when performing any maintenance service on it) should use appropriate PPE to prevent accidents.



Use the hydraulic motorcycle lift only on flat and stable surfaces.



Do not exceed the maximum permitted weight.

MAINTENANCE

1. When not in use, the lift must be stored in the lowest position in a dry location to minimise ram and piston corrosion.
2. Keep the lift clean and wipe off any oil or grease. Lubricate all moving parts.
3. Periodically check the ram and piston for signs of corrosion, clean exposed areas with clean oiled cloth.
4. Before each use check all parts. If any part of the lift is damaged or if there is suspicion of damage, remove the lift from service and take necessary action to repair.
5. When lift efficiency drops, open the release valve and pump the lift foot pedal rapidly 5 to 20 times to purge away air from the hydraulic system.

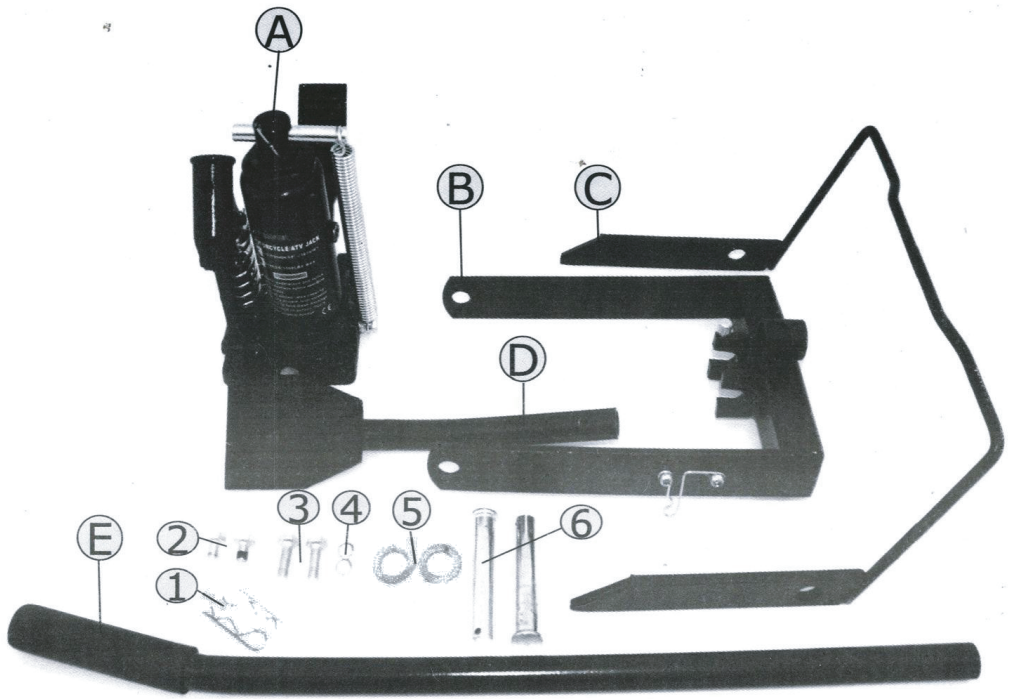
GUIDELINES

- Read this instruction manual carefully before use.
- The hydraulic motorcycle lift is a device solely for lifting and should only be used for this purpose. Any other type of use is considered improper and any resulting damage or injuries of any kind are the sole responsibility of the user.

Failure to follow these recommendations may cause property damage or personal injury.

SAFETY MEASURES

- Installation is only permitted on a smooth and compact surface.
- Pay attention to the maximum permitted load capacity.
- Never leave the control unit while the product is in motion.
- Keep hands and feet away from moving parts.
- The product should only be operated by trained personnel.
- Wear appropriate work clothing.
- To ensure the product functions properly, it is important to keep the area free of any obstructions that could affect its operation.
- Before using the product, always make sure you have taken all necessary safety precautions.
- It is essential to install the safety components. Under no circumstances should the product be used if these components are missing or damaged.
- Before starting to use the product, always check that it is in perfect condition to ensure its efficiency.
- Make sure to perform regular maintenance and in case of irregularities, contact specialist technical support.

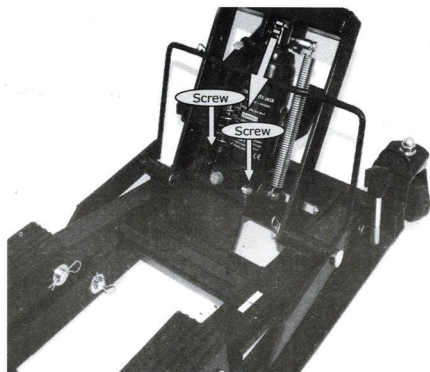


Position	Included in Delivery	QTY
A	Lifting cylinder	1
B	Lifting frame	1
C	Safety lock	1
D	Foot pedal	1
E	The rod	1
1	Safety splint	2
2	Screw M8 x 20	2
3	Screw M8 x 40	2
4	Spring washer	2
5	Washer	2
6	Bolt	4

ASSEMBLY

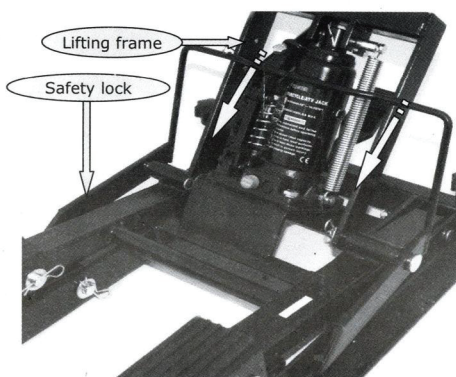
Step 1:

Install the lifting cylinder **A** on the base carrier and attach it with the screws **2** M8x20.



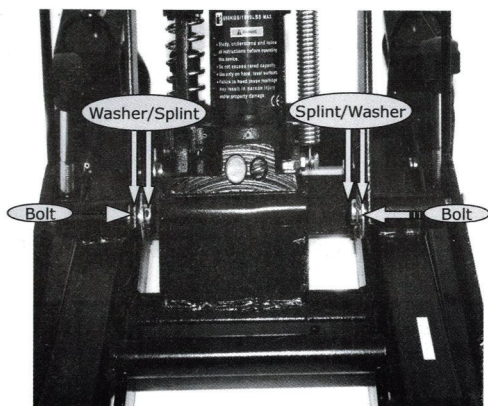
Step 2:

Attach the lifting frame **B** and the safety lock **C**.



Step 3:

Attach the bolts **6** and secure them with the shims **5** and splints **1**.

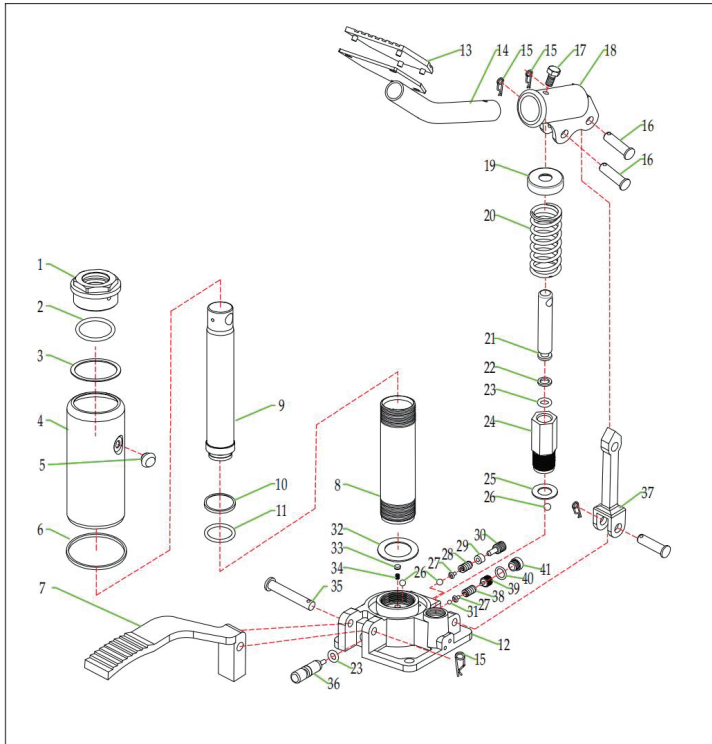


Step 4:

Attach the lifting pedal **D** and the tie-rod **E** and secure them with the screws **3** M8x40.



PARTS LIST AND ASSEMBLY DIAGRAM



Part#	Description	QTY	Part#	Description	QTY
1	Tank Nut	1	22	Retaining Ring	1
2	O-Ring	1	23	O-Ring	2
3	Nylon Ring	1	24	Pump Case	1
4	Outer Case	1	25	Copper Washer1	1
5	Oil Fill Plug	1	26	Steel Ball $\Phi 6$	3
6	Rectangle Ring	1	27	Spring Base	2
7	Discharge Pedal	1	28	Adjustable Spring2	1
8	Cylinder	1	29	Seal	1
9	Piston Rod	1	30	Adjustable Screw2	1
10	Bowl Washer	1	31	Steel Ball $\Phi 4$	1
11	O-Ring	1	32	Copper Washer1	1
12	Base	1	33	Block	1
13	Foot Pedal Pad	1	34	Spring	1
14	Foot Pedal	1	35	Pin	1
15	Lock Spring	4	36	Discharge Valve Rod	1
16	Pin	3	37	Linkage Rod	1
17	Screw	1	38	Adjustable Spring1	1
18	Pedal Holder	1	39	Adjustable Screw1	1
19	Spring Cover	1	40	O-Ring	1
20	Compressing Spring	1	41	Screw M10	1



SGS Engineering (UK) Ltd
Unit 1 West Side Park
Raynesway
Derby, DE21 7AZ

EC Declaration of Conformity

This is an important document and should be retained

MANUFACTURER'S NAME: SGS Engineering (UK) Ltd

TYPE OF EQUIPMENT: Motorcycle Lift

PART NUMBER: SHML680

APPLICATION OF EC COUNCIL DIRECTIVES / STANDARD:

Machinery Directive: 2006/42/EC
EN ISO 12100:2010
EN 1493:2022

I, the undersigned, hereby declare that the equipment specified above conforms to the above European Communities Directive(s) and Standard(s).

PLACE: Derby, UK

DATE: 01 May 2025

A handwritten signature in black ink, appearing to read 'Neil Sansom', written over a white rectangular background.

(Signature)

Neil Sansom
CEO





SGS-ENGINEERING.COM